

In our search for excellence there is no finishing line.

We are committed to all round development with focus on

Quality Reliability Integrity

The World of JAYASHREE



JAYASHREE ELECTRODEVICES PVT.LTD.

It all began in 1972 when the first Jayashree product "Electrodynamic Speed Switch" was patented. The dream of import substitution was realized in those first euphoric days of Indian Industrial Expansion. This laid the technological foundation for the proprietary Company "JAYASHREE ENTERPRISES."

From this modest beginning sprung up a stream of products at a steady and sustained rate.

By 1980, a range of Belt conveyor safety switches inclusive of Pull Cord, Belt Sway, Roller Limit, De-interlocking, Rotary Cam & Centrifugal Speed Switches was introduced in the market. Each product contributing to the reliability & safety of material handling systems.

To facilitate this growing product range, "JAYASHREE ELECTRODEVICES Pvt. Ltd." came into being in 1994 and took over manufacturing of Electro Mechanical Products from the proprietary parent company.

The development now reached a new high, giving birth to sophisticated product such as BELTWATCH (Remote Indication System) and Control & Power products such as Selsyns, Tachogenerators, PM Brushless Servo Motors with matching Digital Control Drive.

Jayashree has, over the years come to be associated with impeccable Quality reflected in the complete confidence reposed in us by our satisfied customers.

We look to the future with supreme confidence armed with Seventy strong team of highly trained and dedicated work force backed by modern R&D and production facilities spread over an area of 3000 sq.mtrs.

OUR PRODUCTS

Control & Automation

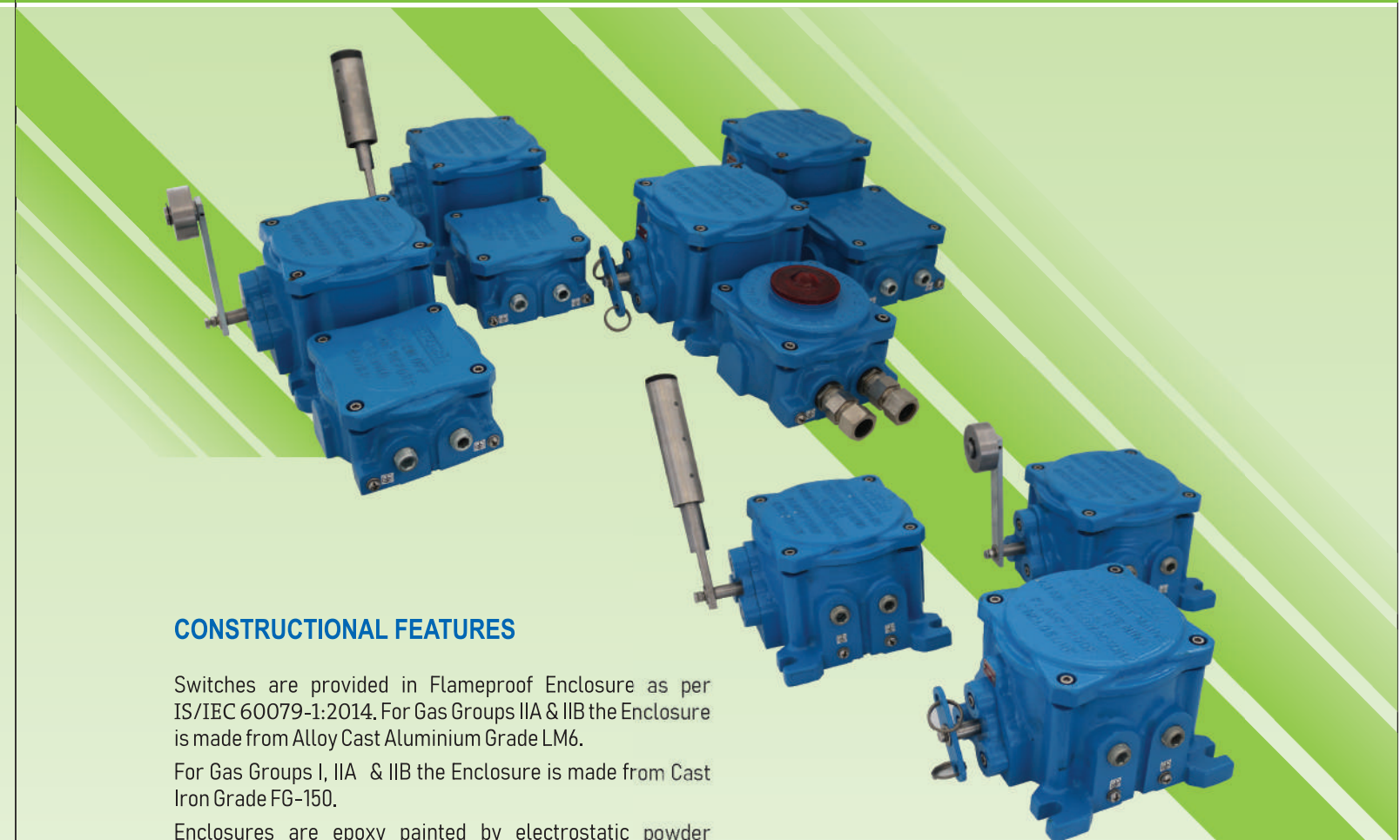
- Brush & Brushless Servomotors
- Servo Drives
- AC/DC Tachogenerators
- Selsyns

Conveyor Safety

- Electrodynamic / Centrifugal Speed Switches
- Pull Cord and Belt Sway Switches
- Roller and Rotary Cam type Limit Switches
- Belt Speed and Loading Monitors

FLAMEPROOF SAFETY SWITCHES IN UNIVERSAL ENCLOSURE

FOR BULK MATERIAL CONVEYORS



CONSTRUCTIONAL FEATURES

Switches are provided in Flameproof Enclosure as per IS/IEC 60079-1:2014. For Gas Groups IIA & IIB the Enclosure is made from Alloy Cast Aluminium Grade LM6.

For Gas Groups I, IIA & IIB the Enclosure is made from Cast Iron Grade FG-150.

Enclosures are epoxy painted by electrostatic powder coating technique.

Effective sealing is provided by specially designed Neoprene Rubber 'O'Rings for the covers and shaft entries to achieve IP-66 grade of protection.

Cover fixing Allen Head Screws will be from Stainless Steel.

Built in terminal box provided for sophisticated models, incorporating moulded stud type terminals for easy wiring/looping.

Switching elements have Silver-Cadmium alloy tipped contacts with double break and wide contact separation for optimum switching performance.

Threaded cable entries to suit Flameproof cable glands. (Cable Glands on request at extra cost)

APPLICATION

COAL MINES

PETRO CHEMICAL INDUSTRIES

CIMFR Certificate No. :
IN/CIMFR/TR20/H280
Dated 17.12.2020 for EFP Models
IN/CIMFR/TR21/H349
Dated 20.01.2021 for TFP/HFP Models

More than Four Decades in the field of Conveyor Safety & Industrial Control

PULL CORD SWITCH

Series SW - 4030

SPECIAL FEATURES :

- Unique toggle type mechanism provides snap action and local manual reset
- Operating lever carries rings for convenient pull cord termination
- Grade of protection IP-66
- Standard contact Rating -10/16 Amp. Resistive at 110 / 240 V, AC 50 Hz.

ORDERING CODE

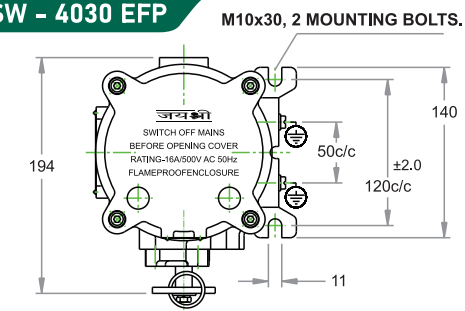
| Model | Built in Terminal Box | Contact Combination |
|----------------|-----------------------|---------------------|
| SW - 4030EFP11 | Not Provided | 1NO+1NC |
| SW - 4030EFP22 | Not Provided | 2NO+2NC |
| SW - 4030HFP11 | Provided | 1NO+1NC |
| SW - 4030HFP22 | Provided | 2NO+2NC |



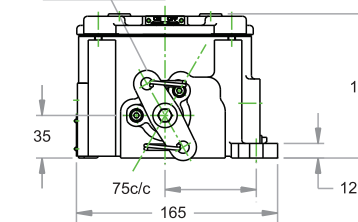
SW - 4030EFP

SW - 4030HFP

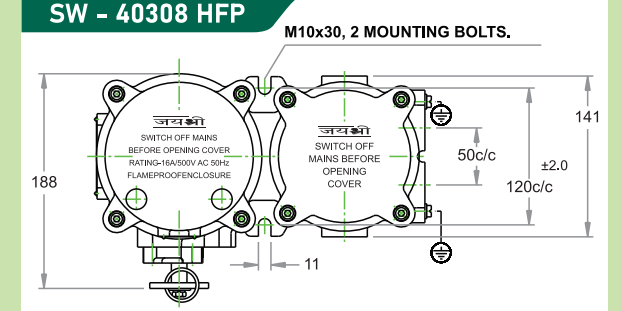
SW - 4030 EFP



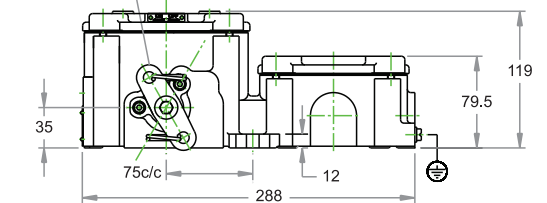
NORMAL POSITION OF LEVER



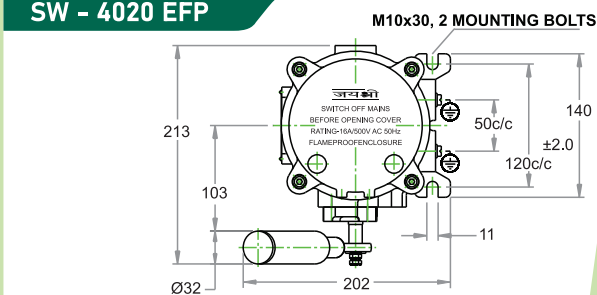
SW - 40308 HFP



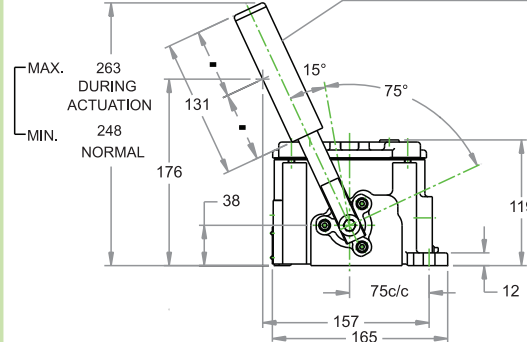
NORMAL POSITION OF LEVER



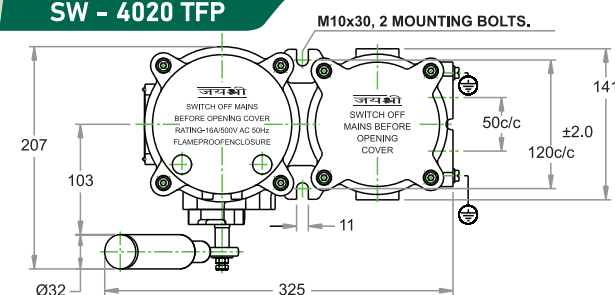
SW - 4020 EFP



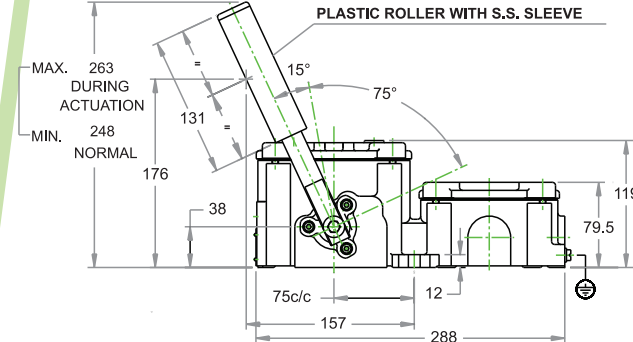
PLASTIC ROLLER WITH S.S. SLEEVE



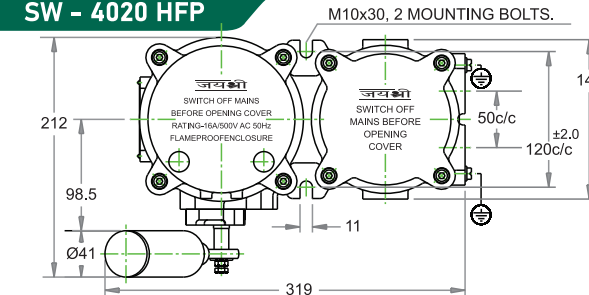
SW - 4020 TFP



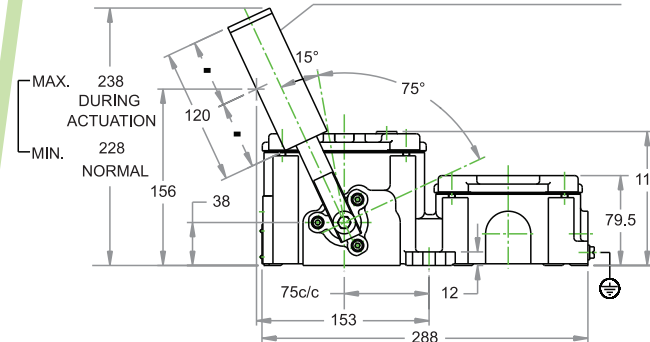
PLASTIC ROLLER WITH S.S. SLEEVE



SW - 4020 HFP



PLASTIC ROLLER WITH S.S. SLEEVE



BELT SWAY SWITCH

Series SW - 4020

SPECIAL FEATURES :

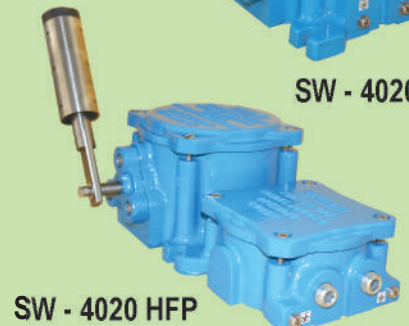
- Ball/Bush bearing options for roller & cam shafts
- Wide over travel of the roller permissible without damaging the switch element
- Robust spring to absorb impact from belt and effect quick self resetting
- Grade of protection IP-66
- Standard contact Rating - 10/16 Amp. Resistive at 110 / 240 V, AC 50 Hz.

ORDERING CODE

| Model | Terminal Box / Bearing | Contact Combination |
|----------------|------------------------|---------------------|
| SW - 4020EFP11 | With | 1NO+1NC |
| SW - 4020EFP22 | Bush Bearing | 2NO+2NC |
| SW - 4020TFP11 | With TB & | 1NO+1NC |
| SW - 4020TFP22 | Bush Bearing | 2NO+2NC |
| SW - 4020HFP11 | With TB & | 1NO+1NC |
| SW - 4020HFP22 | Ball Bearing | 2NO+2NC |



SW - 4020 TFP



SW - 4020 HFP

HEAVY DUTY LIMIT SWITCH

Series SW - 4040

SPECIAL FEATURES :

- Ball/Bush bearing options for cam shafts
- Wide over travel of the roller permissible without damaging the switch element
- Robust spring to absorb impact from belt and effect quick self resetting
- Grade of protection IP-66.
- Standard contact Rating -10/16 Amp. Resistive at 110 / 240 V, AC 50 Hz.

ORDERING CODE

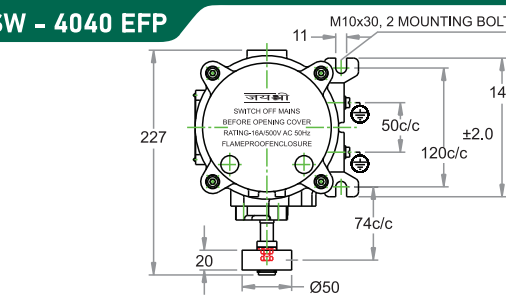
| Model | Terminal Box / Bearing | Contact Combination |
|----------------|------------------------|---------------------|
| SW - 4040EFP11 | With Bush Bearing | 1NO+1NC |
| SW - 4040EFP22 | With Bush Bearing | 2NO+2NC |
| SW - 4040TFP11 | With TB & Bush Bearing | 1NO+1NC |
| SW - 4040TFP22 | With TB & Bush Bearing | 2NO+2NC |
| SW - 4040HFP11 | With TB & Ball Bearing | 1NO+1NC |
| SW - 4040HFP22 | With TB & Ball Bearing | 2NO+2NC |



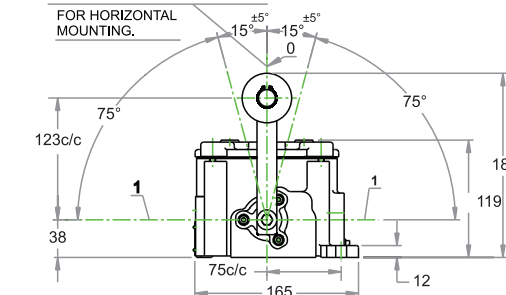
SW - 4040EFP

SW - 4040T/HFP

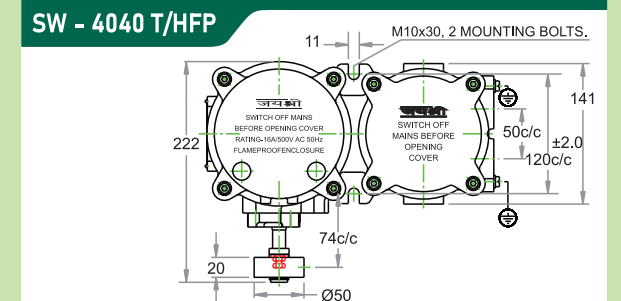
SW - 4040 EFP



NORMAL POSITION OF ROLLER FOR HORIZONTAL MOUNTING.



SW - 4040 T/HFP



NORMAL POSITION OF ROLLER FOR HORIZONTAL MOUNTING.

